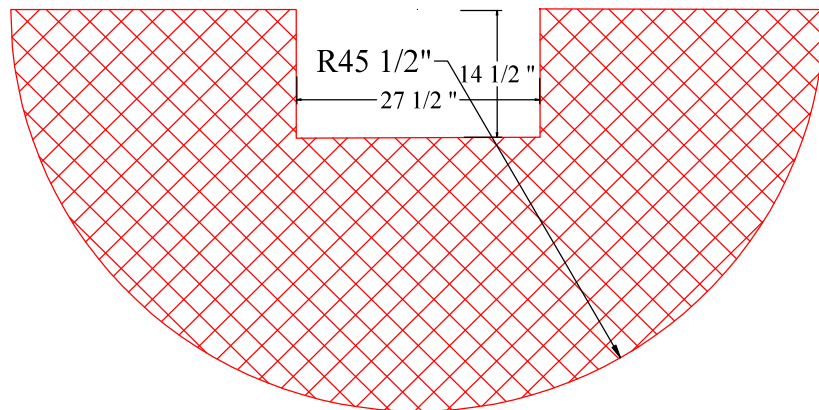


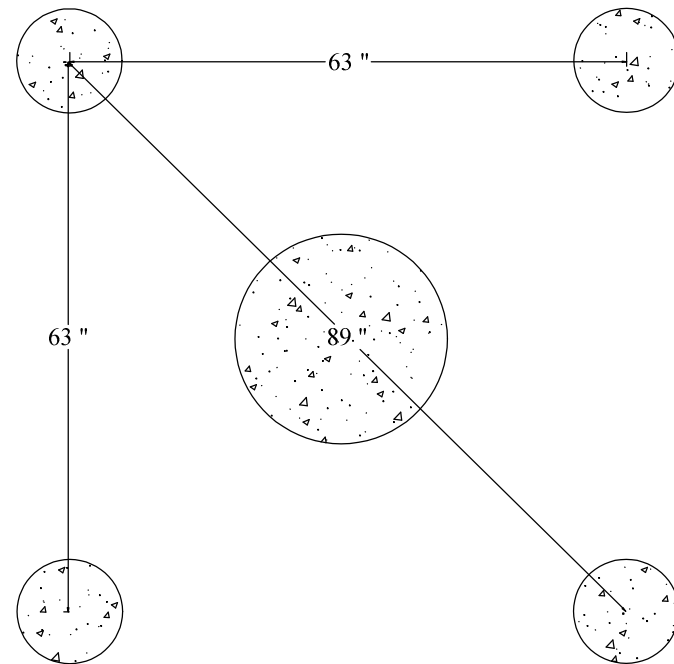
## Materials Included in the Floor Kit

- 2 - 4 X 6 - 65" Long
- 2 - 2 X 8 - 77" Long Cut 22.5 Deg both ends.
- 2 - 2 X 8 - 64" Long Cut 22.5 Deg both ends.
- 8 - 2 X 8 - 35 1/4" Long Cut 22.5" both ends.
- 2 - 2 X 8 - 24" Long
- 2 - 2 X 8 - 22 1/2" Long
- 4 - 2 X 8 - 28" Long
- 2 - 4 X 8 X 3/4" Sheets of treated plywood Cut to Diagram
- 2 - 27 1/4 X 14 3/8 3/4" Plywood Cut out's from the sheet
- 8 - 8" X 6" 12 Ga. Galvanized Plates for corners.
- 60 - 1 3/4" Deck Screws
- 72 - 3 1/2" Deck Screws
- 48 - 1 1/4" Plate Screws Hex Head

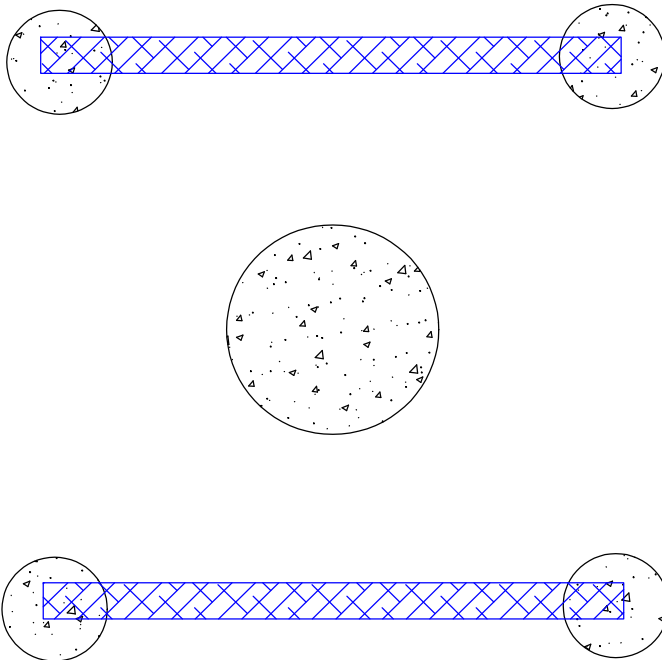
It works best to cut the area in the center of the sheet out so you can work with your pier mount then cut the needed opening to fit them around the pier is's self.



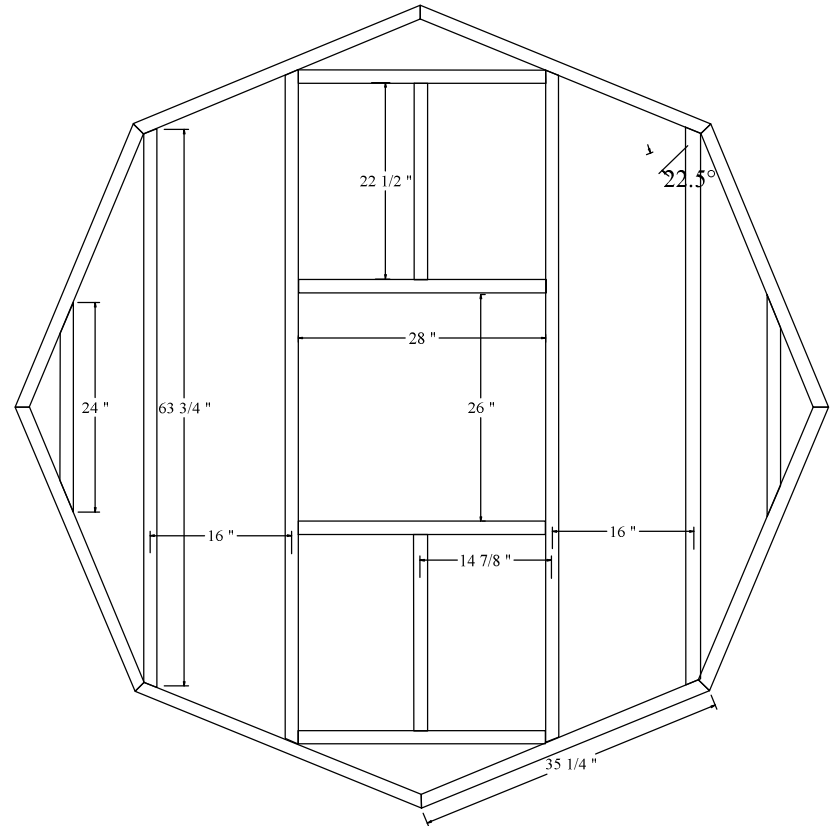
These are Suggested lay outs for the Floor of the 8' Round Building  
You need to check local building codes for your area.



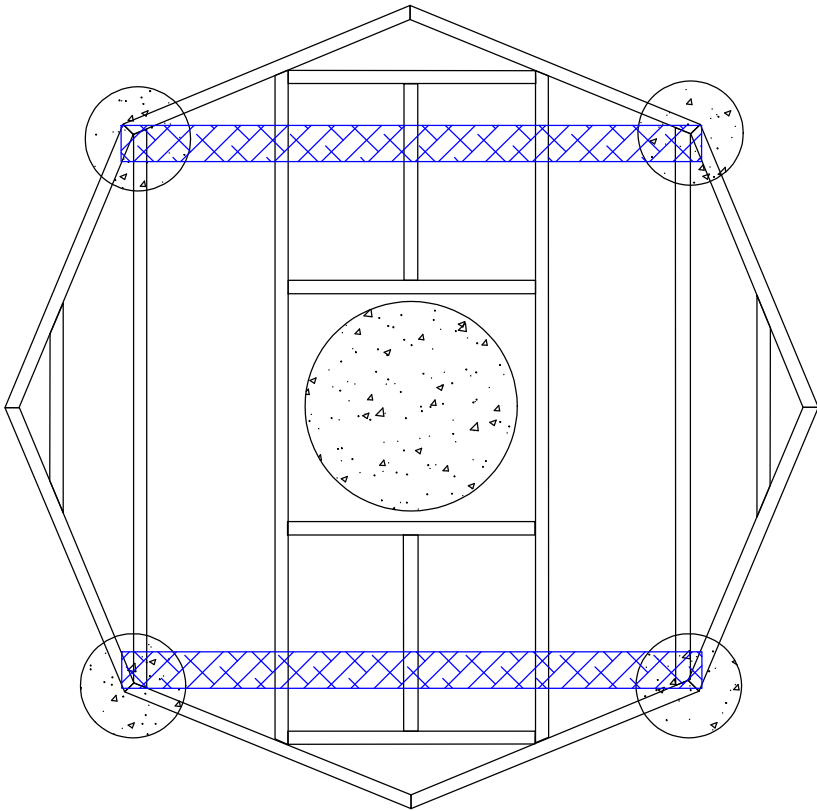
Set your footings and Pier Mount  
( Check Local Building Codes)



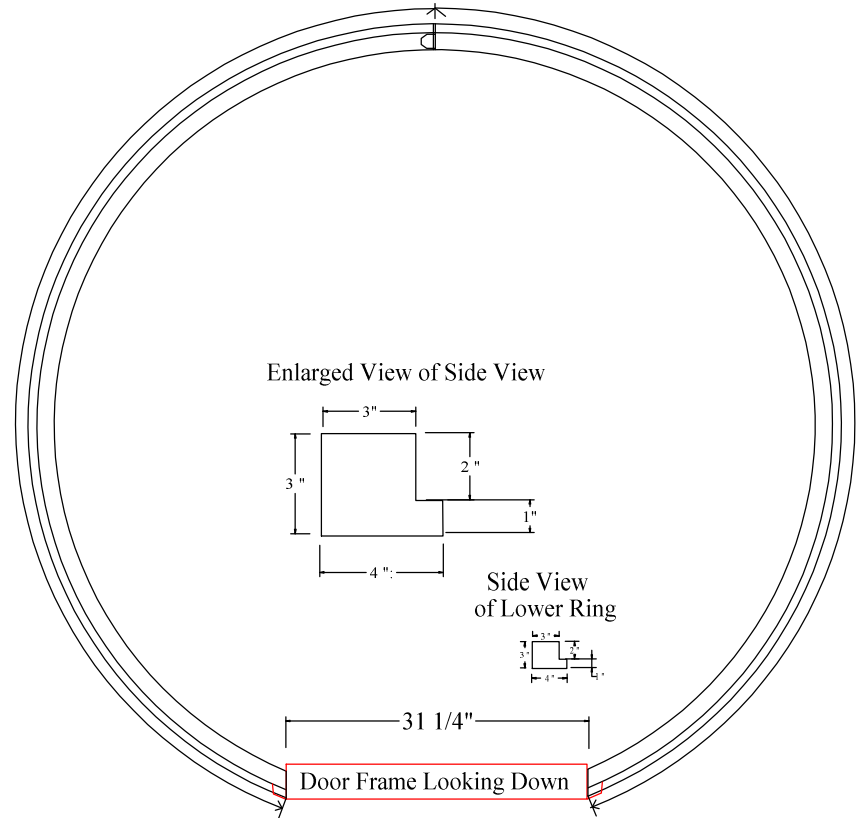
Set your 4 X 6 and anchor them down



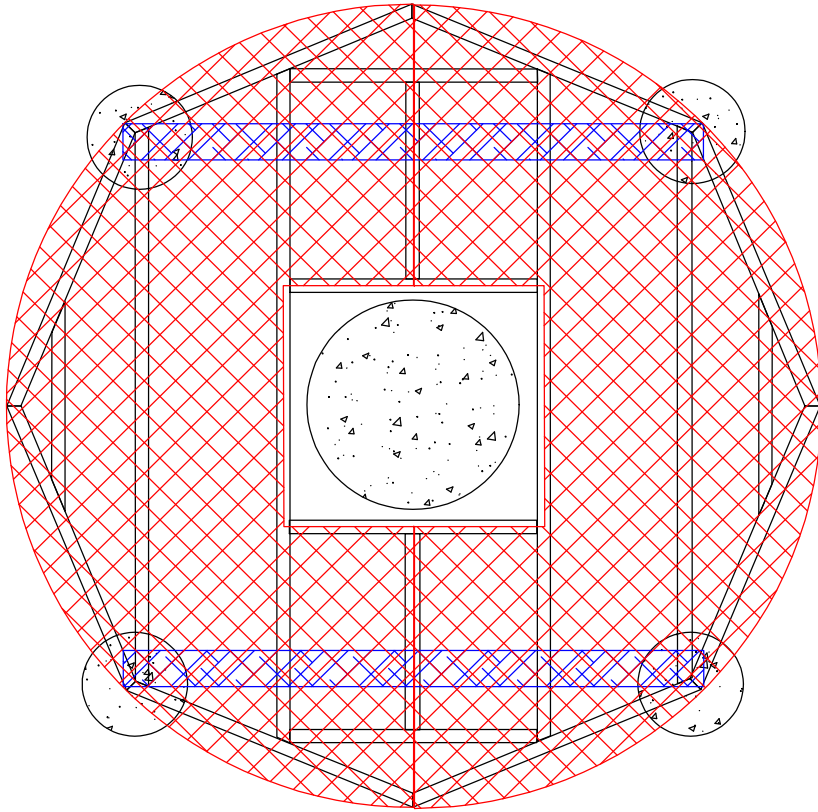
Build your Deck Frame



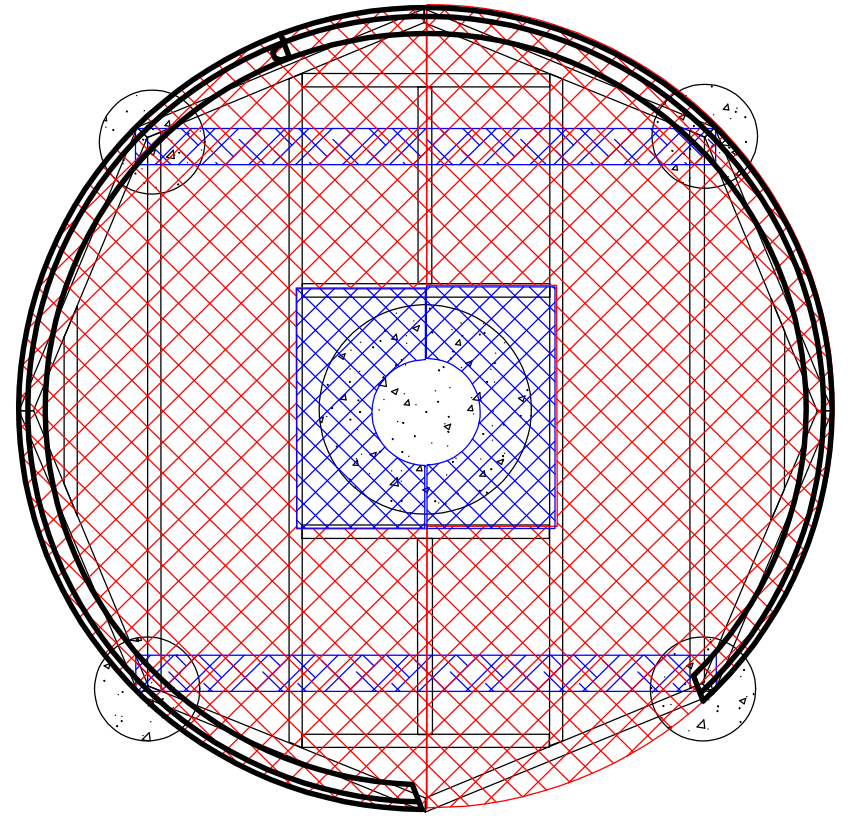
Set the Deck Frame onto your 4 X 6's  
and Anchor tthe Deck to them.



Looking Down at the  
Lower Wall Mounting Ring



Add the Plywood to the Floor Structure  
The plywood will over hang the 2 X 8's



Install the Lower Wall Mounting Ring