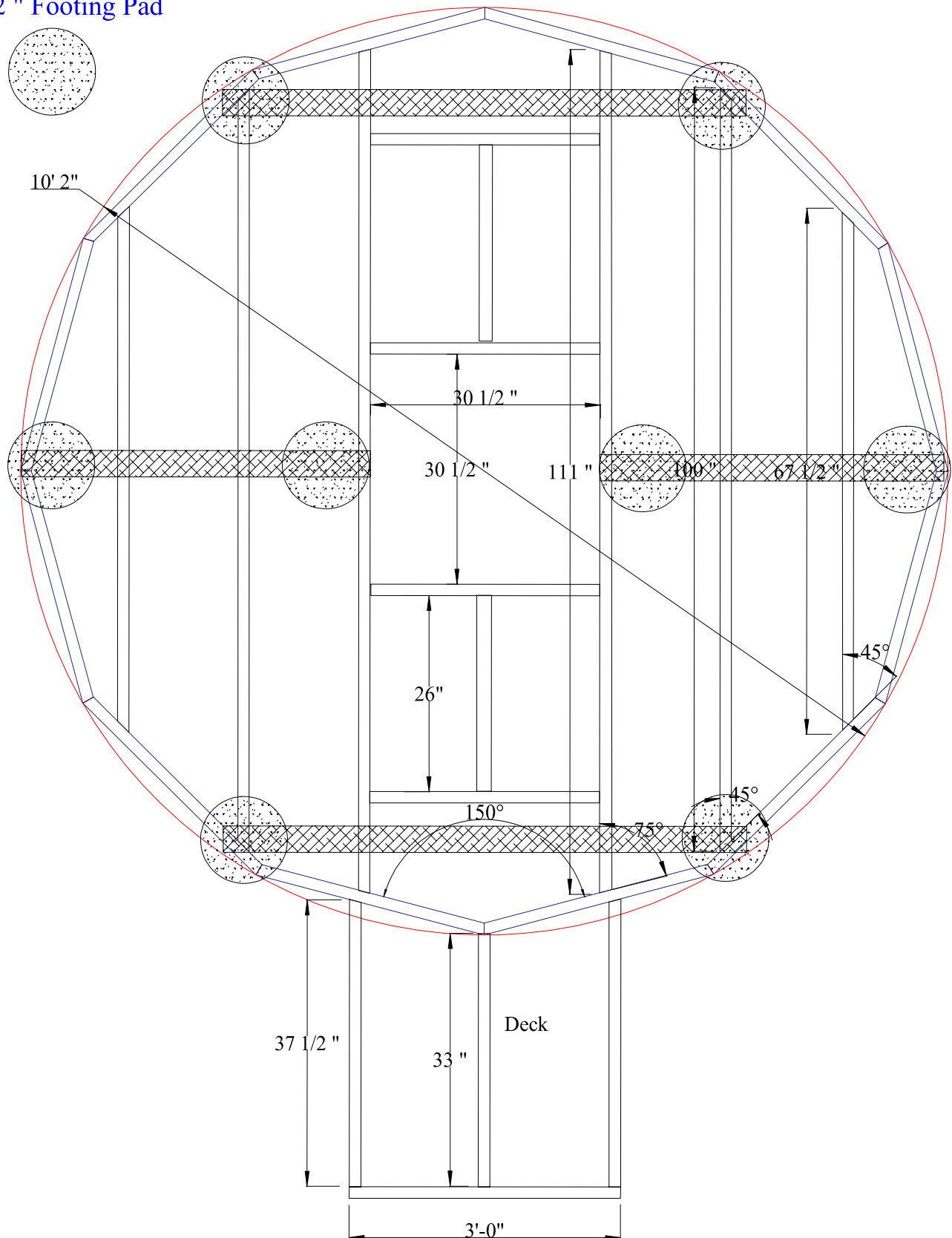


10' 6" Round Building Deck Framing Lay Out

Black = Deck Framing Blue = Outer Deck Boards Red = Plywood Floor

12" Footing Pad



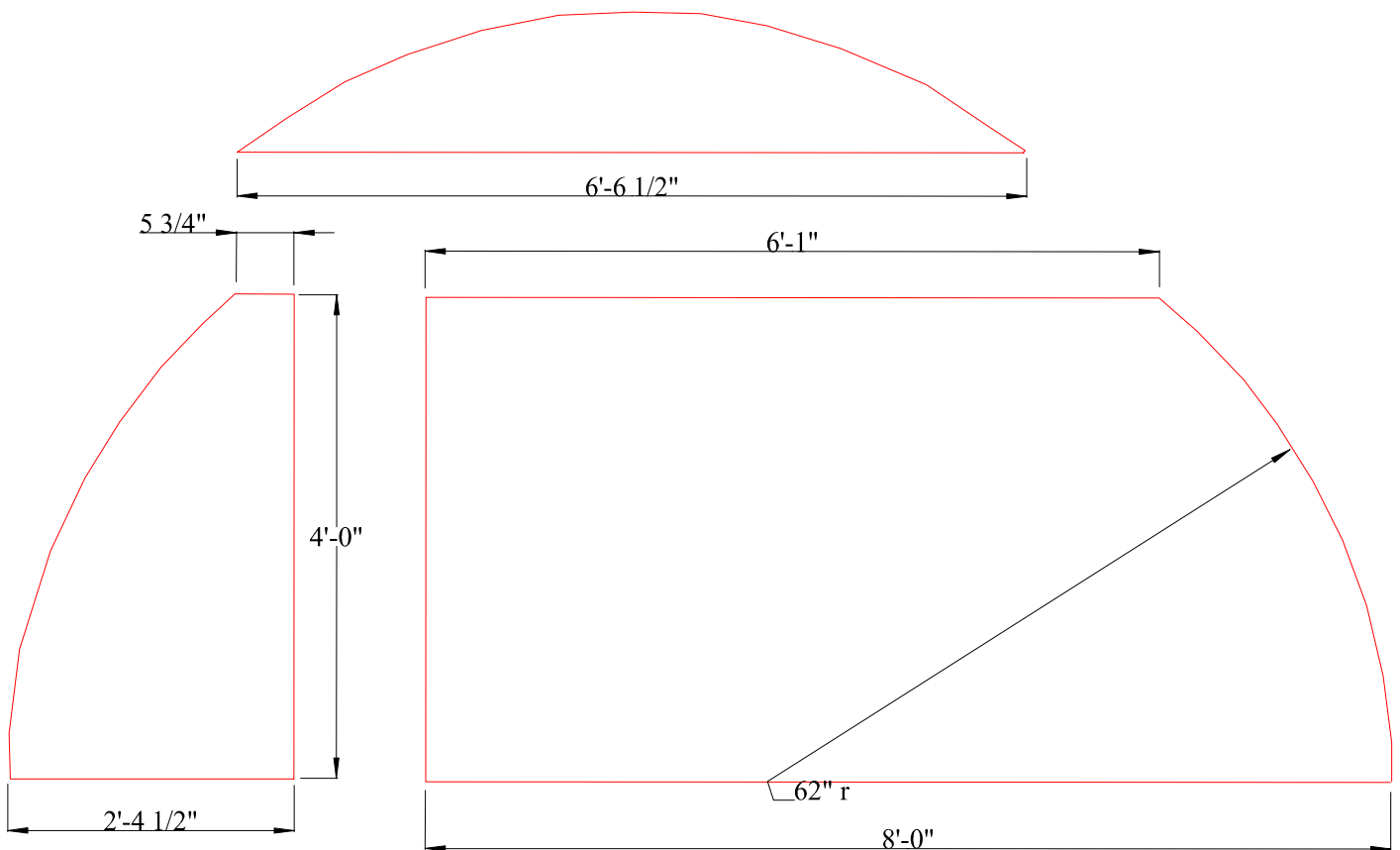
Pressure Treated Plywood Needed

2 - 1' 2" X 6' 6 1/2"

2 - 4 X 8 X 3/4 Plywood

2 - 4 X 2' 6 1/2"

Pressure Treated Plywood Cut To Needed Sizes



2 X 8's Need for Floor Support

