

Brush Seal & Retainer Ring Installation in the 8' Explora Dome



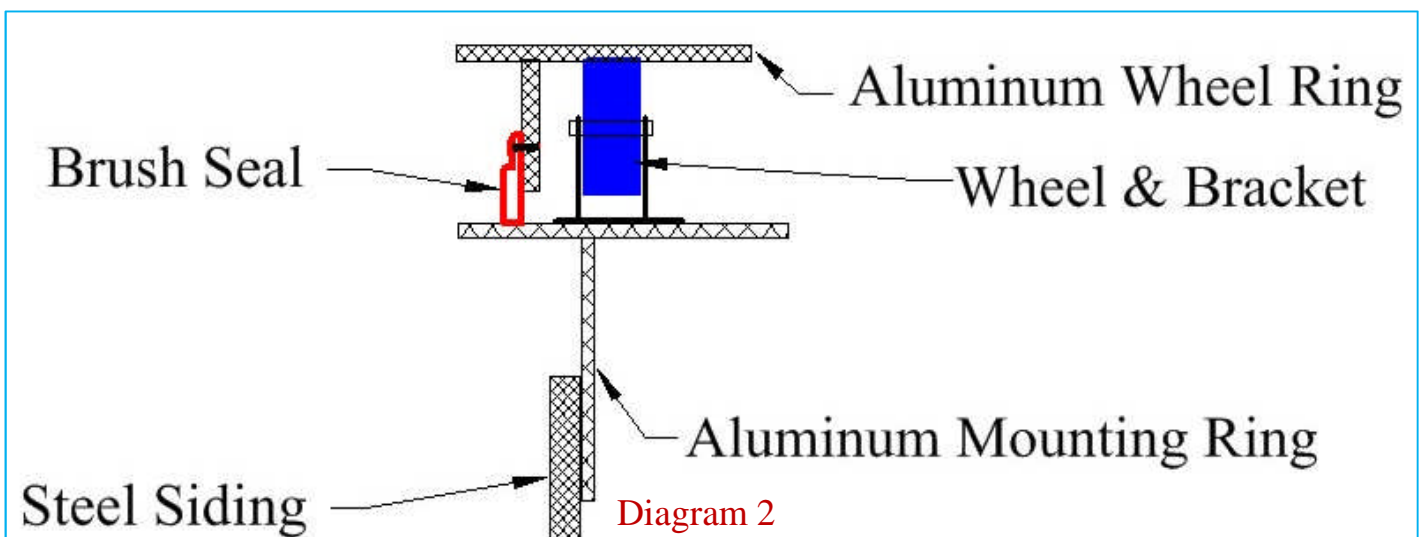
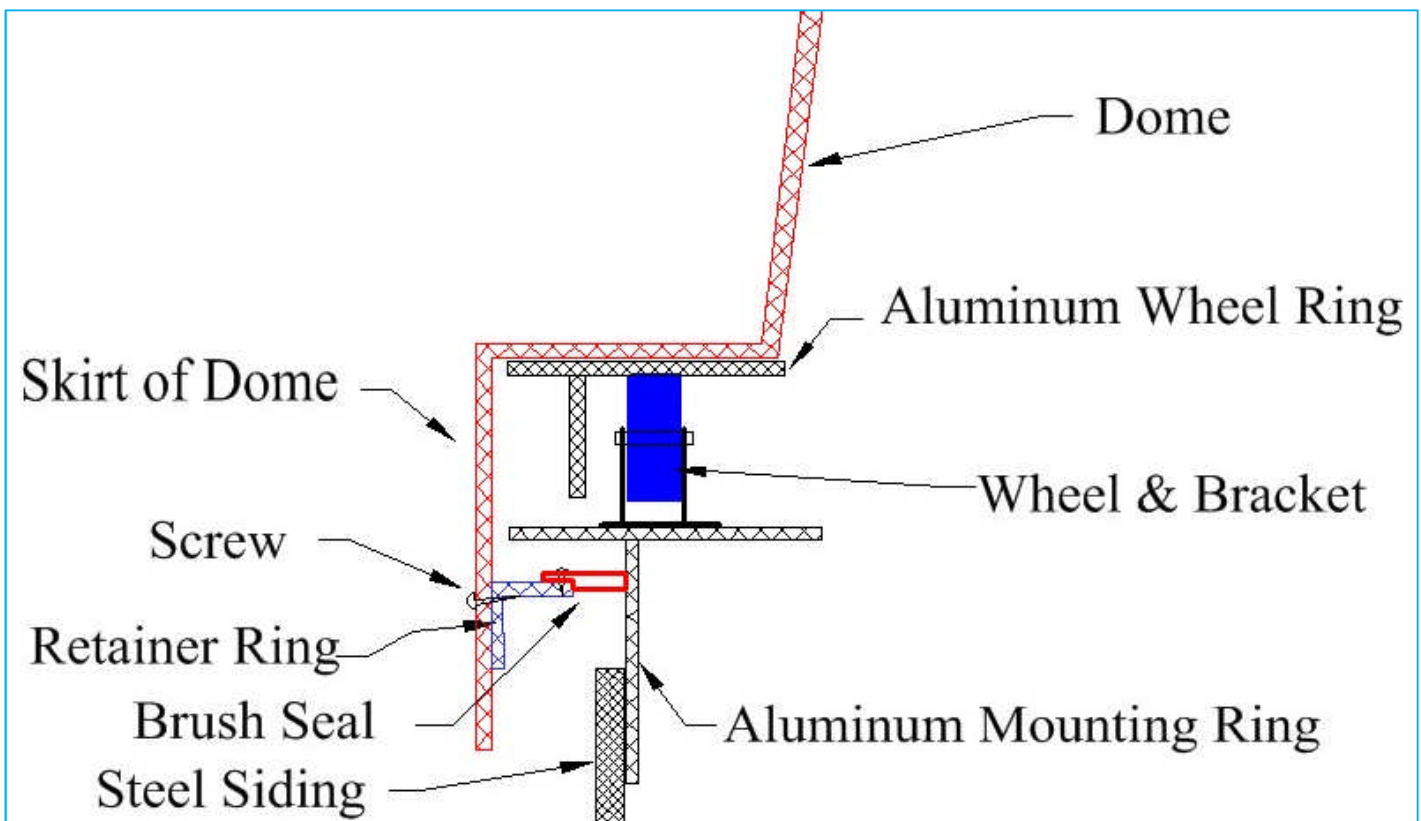
There are 2 ways to install the brush seal on the 8' Explora Dome the 1st and most often used is to mount it to the retainer ring. This is how we have done it in the past.

(As seen in Diagram 1 Below)

1st Install the brush seal to the retainer ring sections with #6 x 3/8" pan head screws, about every 6" cutting the brush seal about 1/4" longer than the retainer ring. Do this to all 4 sections.

2nd Install the brush seal to the outside of the wheel ring before you put the Dome on top of the wheel ring. Starting about 1" in from the end of the brush seal and drill a 11/64" hole through the rubber brush seal and the aluminum ring and install a using #10-32X3/8 hex head self threading screws, this should be done about every 6" all the way around.

(As seen in Diagram 2)



The retainer ring sections should be about 77" long and about 1" tall.

Start by sticking a tape measure behind the Dome skirt up to the bottom of the mounting ring to see what the distance is from the bottom of the Dome skirt to the bottom of the mounting ring. Once you know that then measure up the out side of the Dome skirt from the bottom of the Dome skirt about 1 ¼" less and put a mark.

Now drill a 3/16" hole in the Dome skirt, drill a 1/8" hole in the end of the retainer ring just below the inside corner of the retainer ring so the screw comes out just below the bottom of the lip on the retainer ring as seen in Diagram 1 on the previous page.

Now install the retainer ring in behind the Dome skirt and line up the 1/8" hole you drilled in the retainer ring with the 3/16" hole you drilled in the Dome skirt and install a # 8 X ¾" SS Pan Head Screw than mark 12.5" X 5 from the first screw and drill a 3/16" hole staying at the same distance up from the bottom of the Dome skirt as the first hole you drilled. there are 6 screws per section but you will want to locate the end of the retainer section before you drill the last hole so you can adjust it if needed.

(If your Dome skirt is dented in you can fasten one end of the retainer ring and apply pressure to the other end to help push the dents out. If they are sever it helps to place spacers between the Dome skirt and the Mounting ring to force them out before you put the retainer ring in place use as many as you need to do this).

You want the tip of the screws to come through the retainer ring sections right in the corner of the retainer ring or just below it. This is the thickest portion of the ring and it will also keep the tip of the screws covered or close to the corner so they do not stick out. It may take several attempts to get the screw to come out in the corner of the retainer ring sections.

After you install each section of retainer ring rotate the Dome and make sure it is not binding some where as you rotate it. If you do find a problem fix it before you go on. You may need to trim some of the lip that goes under the mounting ring off if it rubs the mounting ring to tight.

Now repeat this procedure on the next 2 sections of retainer ring.

Checking each section for clearance as you go.

On the last section you may need to trim off the end of the retainer ring to make it fit in the last open section. Than fasten it in place the same way as the first 3 sections noting the shorter section for the last hole.

